



# CLICKIT ER

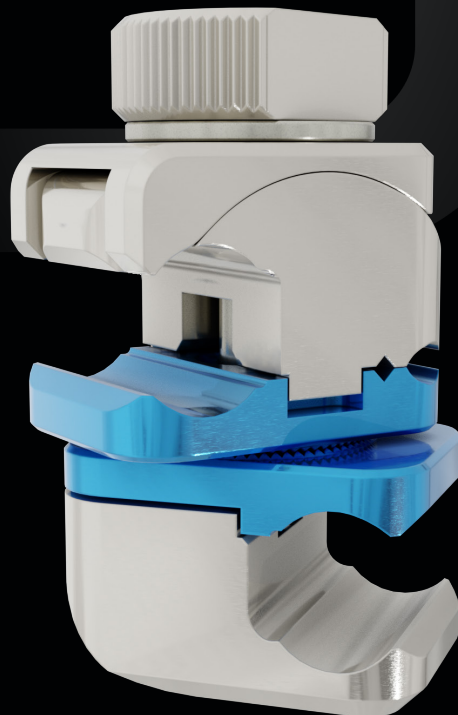
EMERGENCY EXTERNAL FIXATION SYSTEM

Universal clamp

Snap and Click Coupling

MR Conditional

Sterile



# Indications

ClickIt ER is an MR Conditional emergency external fixation system for temporary stabilisation of open fractures, unstable fractures and fractures associated with soft tissue injury.

## FEATURES

## ADVANTAGES

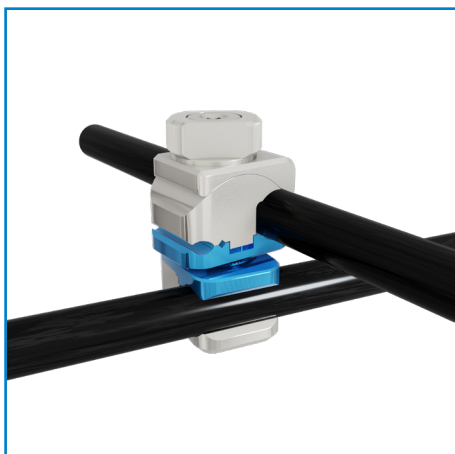
Universal clamp	Rod/rod, rod/screw ( $\text{\O}4\text{-}\text{\O}5\text{-}\text{\O}6\text{mm}$ ) and rod/wire connection
Provisional tightening by hand	Quick application
Snap and Click Coupling	Quick application
Only one instrument required	Simple
Sterile	Ready to use
MR Conditional	Allows up to 3 Tesla magnetic resonance

# Components

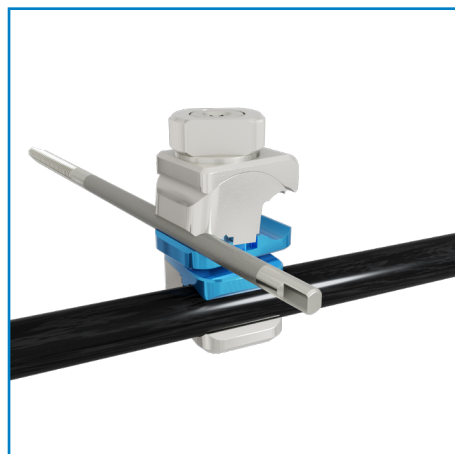


## Universal clamp

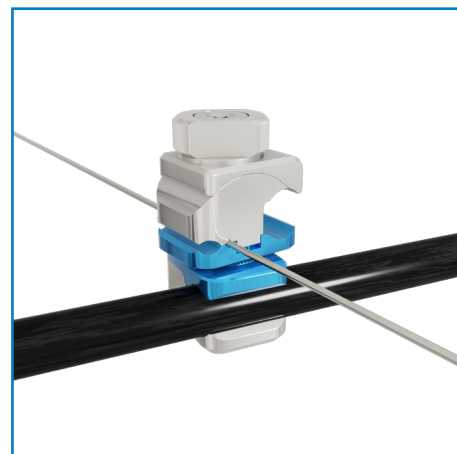
One clamp for rod/rod, rod/screw, rod/wire connections



Rod/rod connection  $\text{\O}12\text{mm}$



Rod/screw connection  $\text{\O}12\text{mm}$  (rod) and  $\text{\O}4,5,6\text{mm}$  (screw)



Rod/wire connection  $\text{\O}12\text{mm}$  (rod) and from 1.8 to 2.5mm (wire)



### Rods

Diameter 12 mm radiolucent



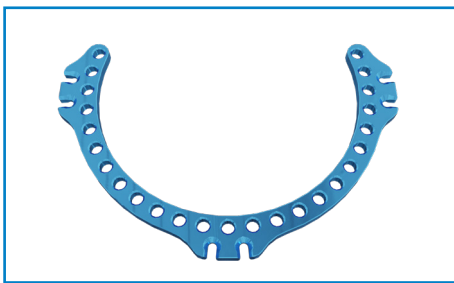
### ER hybrid connecting Post

For ring connection in hybrid configurations



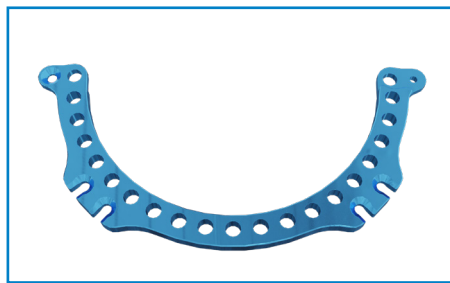
### “U” rods

Optimal accessory for tibial pilon and tibial plateau



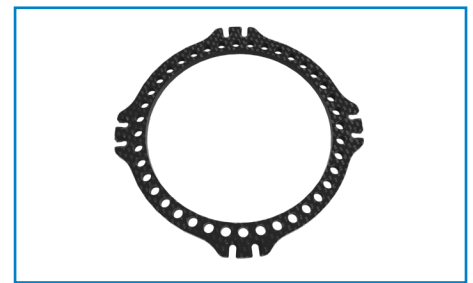
### Arch 5/8

For hybrid configurations



### Half rings

For hybrid configurations



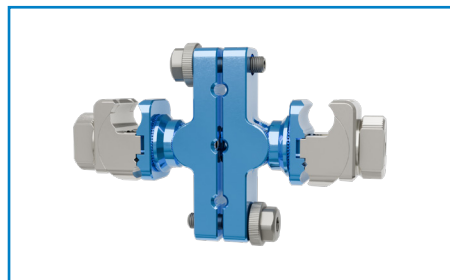
### Radiolucent carbon ring

For hybrid configurations



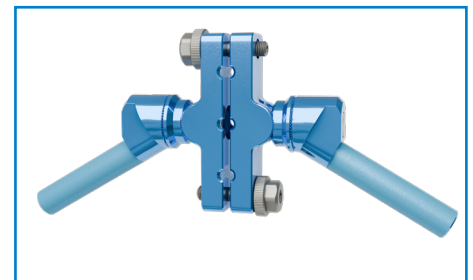
### Multiscrew clamp/ T clamp

Easy positioning of 2 or 3 screws



### Large Multiscrew clamp

With side clamps



### Large Multiscrew clamp with supports

Adaptable lateral supports compatible with large universal clamp



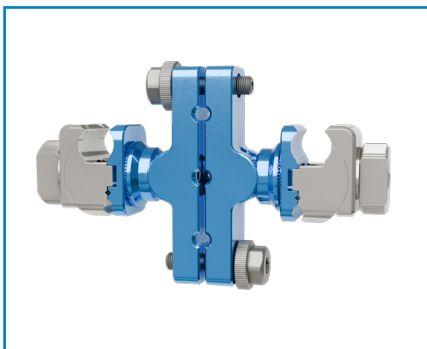
### Screws and Wires

Available in different diameter, material and thread lengths

# Custom Kit ER



Code	Description
5006508ST	Large universal clamp ER Ø12mm ST



Code	Description
5006504LST	Multi screw clamp ER ST



Code	Description (*)
5006510ST	Rod Ø12mm L100mm ST
5006512ST	Rod Ø12mm L150mm ST
5006514ST	Rod Ø12mm L200mm ST
5006516ST	Rod Ø12mm L250mm ST
5006518ST	Rod Ø12mm L300mm ST
5006520ST	Rod Ø12mm L350mm ST

(\*) the amount of the bars may vary depending on the composition of the blister.



Code	Description (**)
5000592ST	Transfixation screw Ø4.5-5mm L250mm F50mm ST
VA4.150.40	Self-drilling cortical screw Ø4mm L150mm F40mm ST
VA5.150.40	Self-drilling cortical screw Ø5mm L150mm F40mm ST
VA6.250.40	Self-drilling cortical screw Ø6mm L250mm F40mm ST

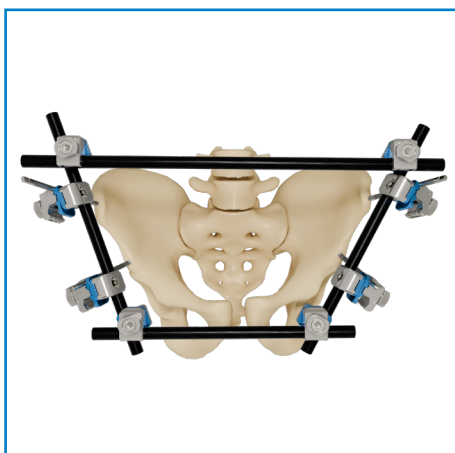
(\*\*) the amount of screws may vary depending on the composition of the blister.

# Configurations

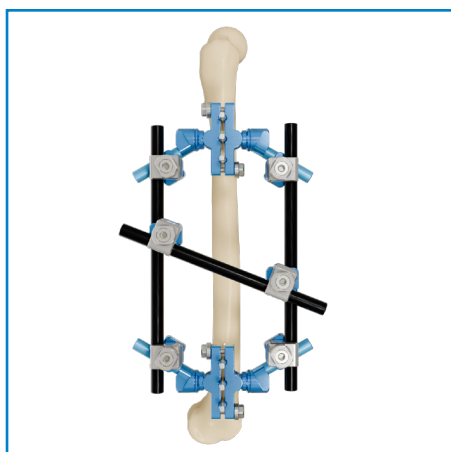
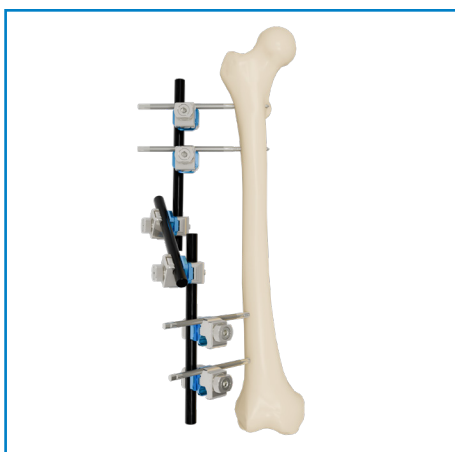
## UPPER LIMB

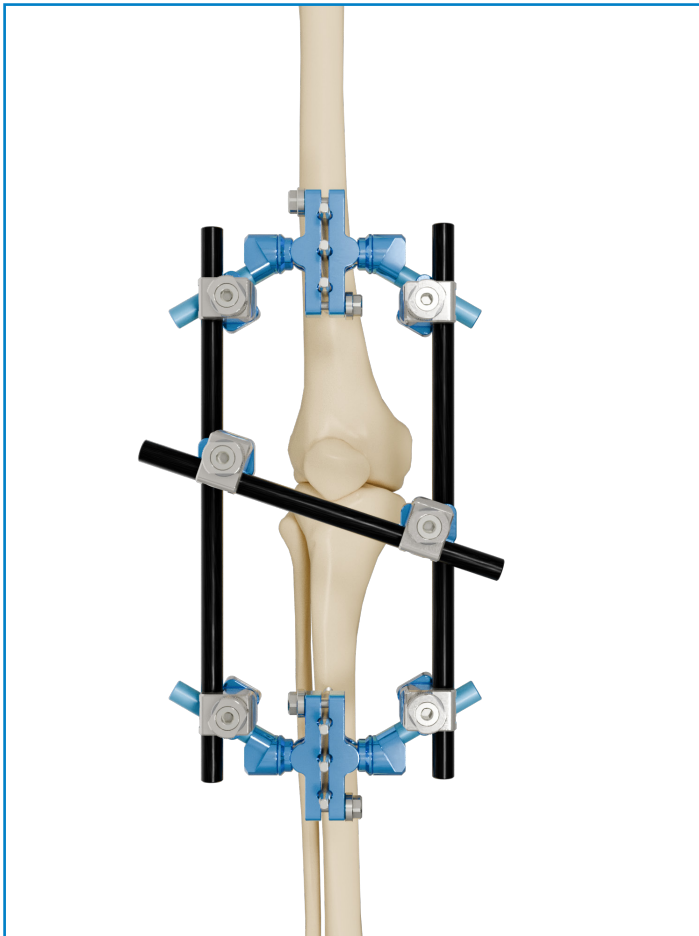
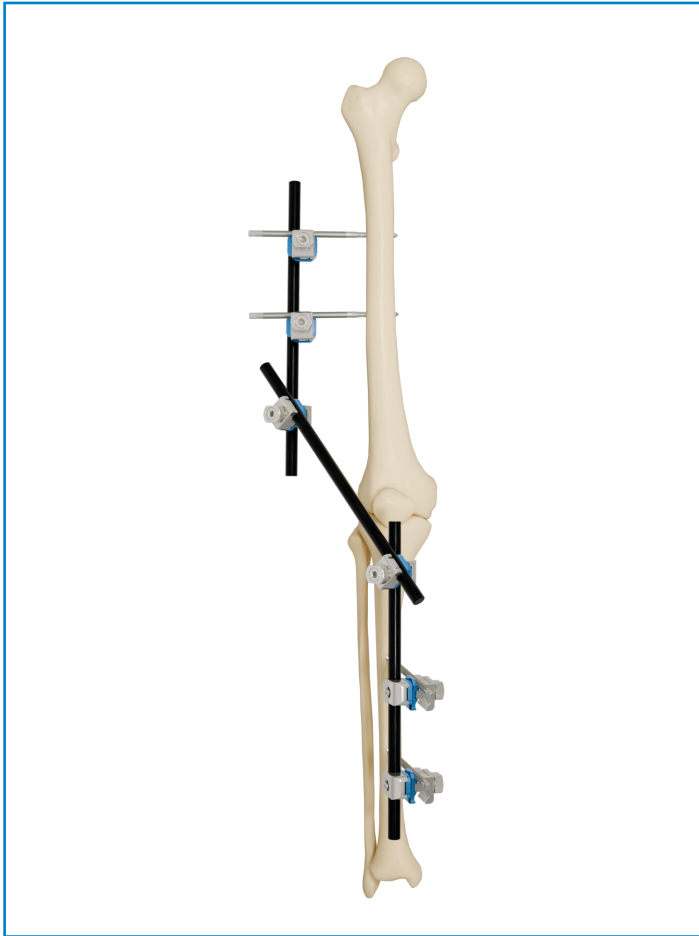


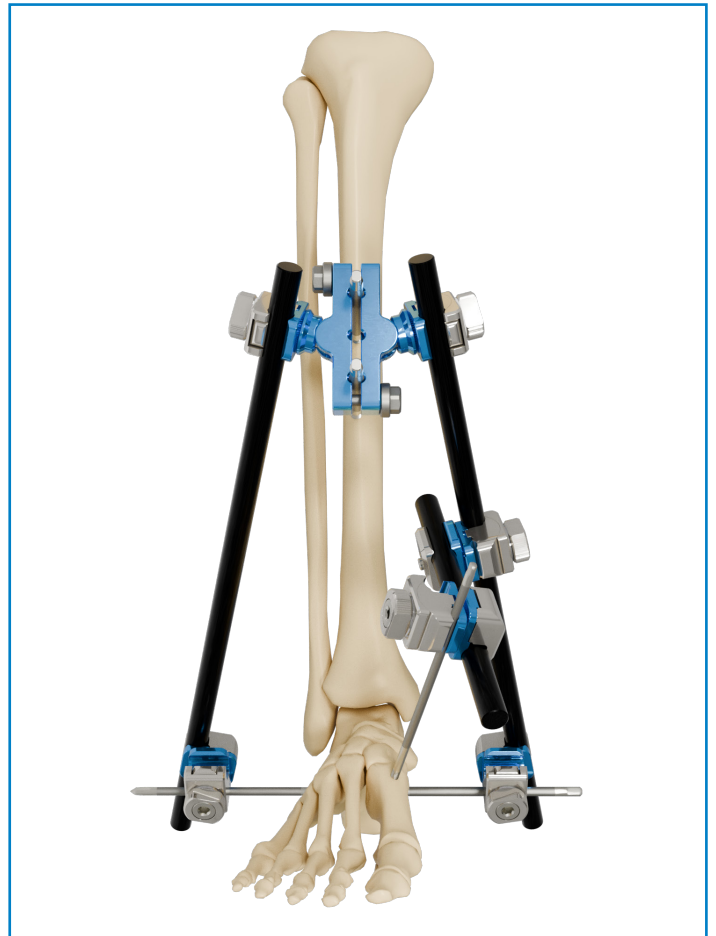
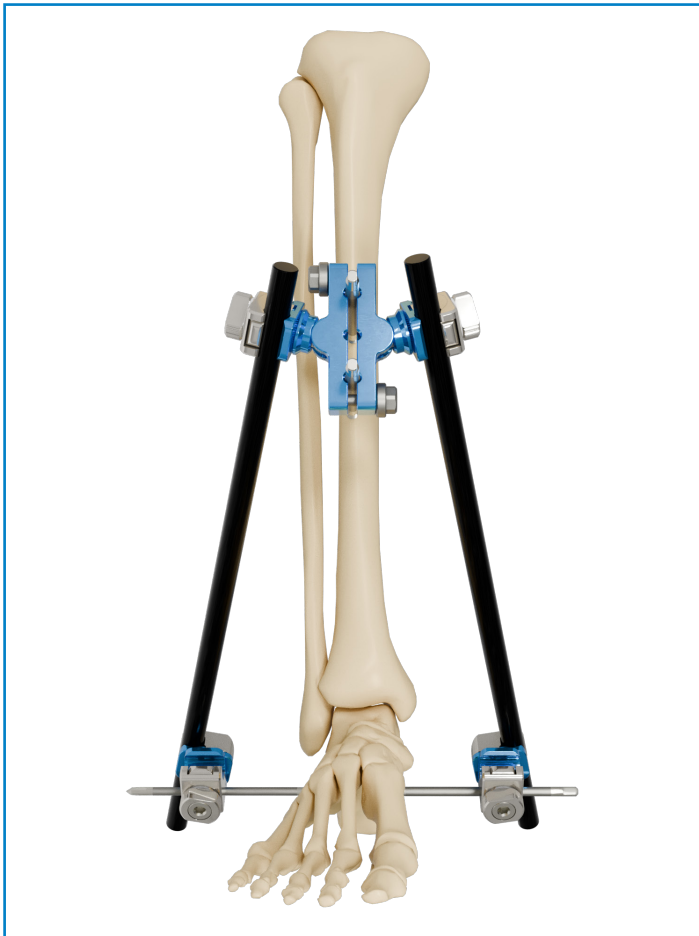
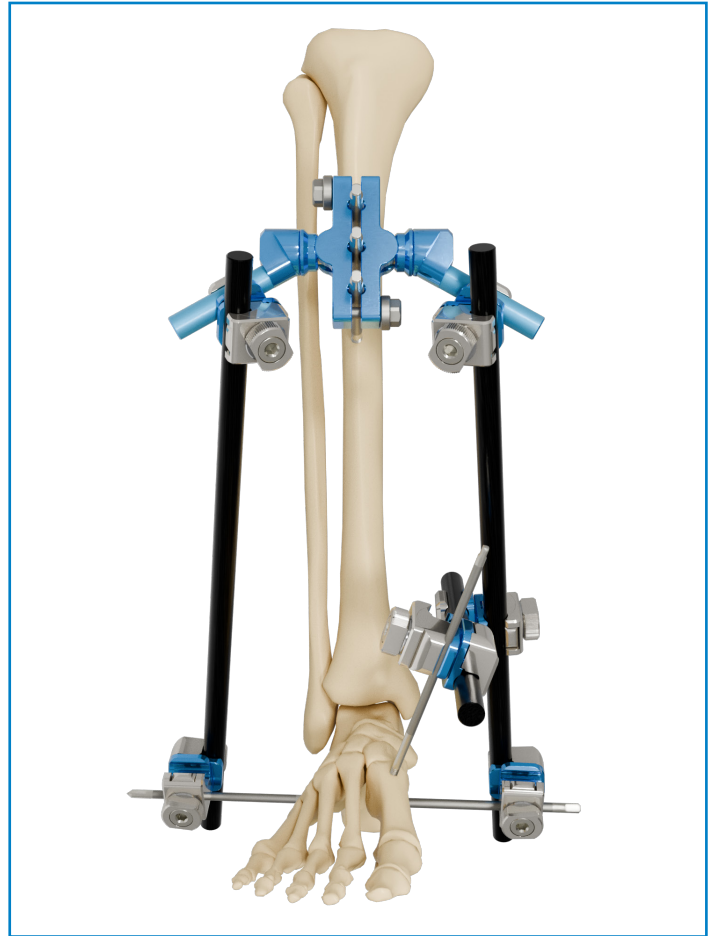
## PELVIS

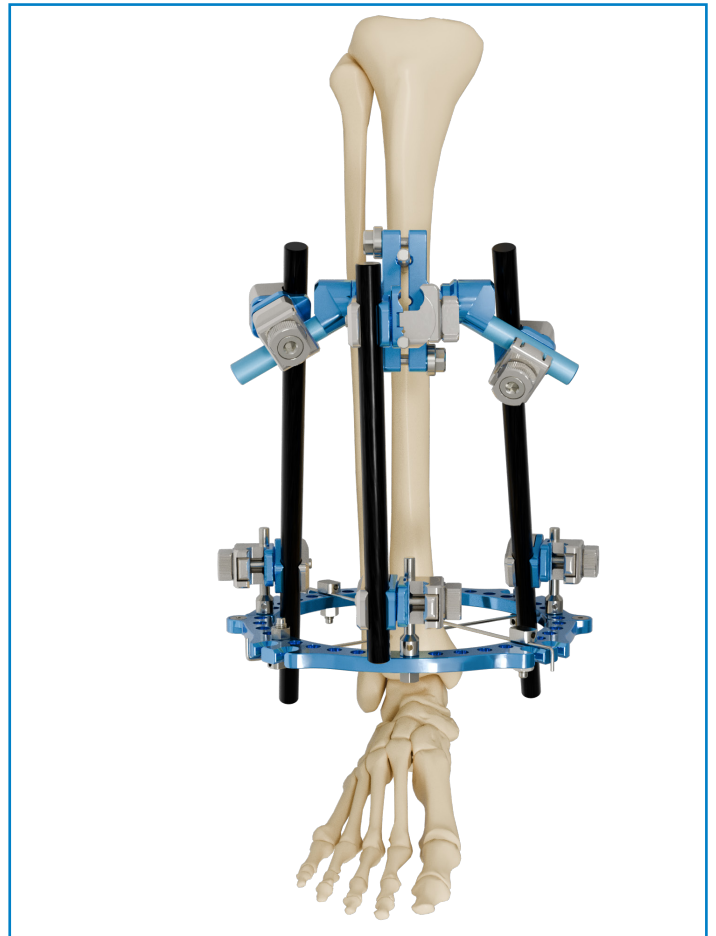
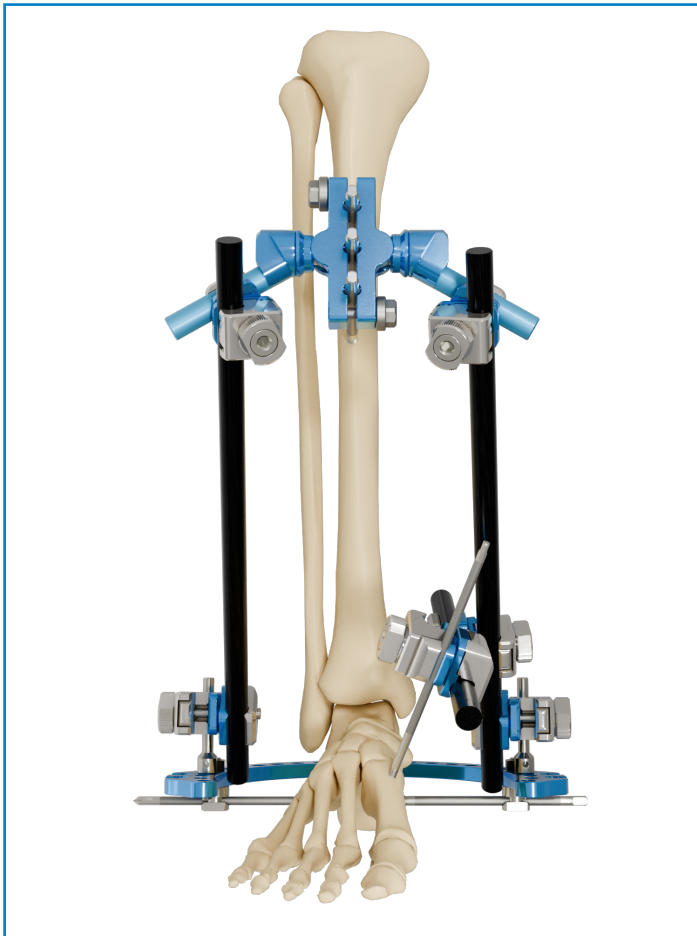
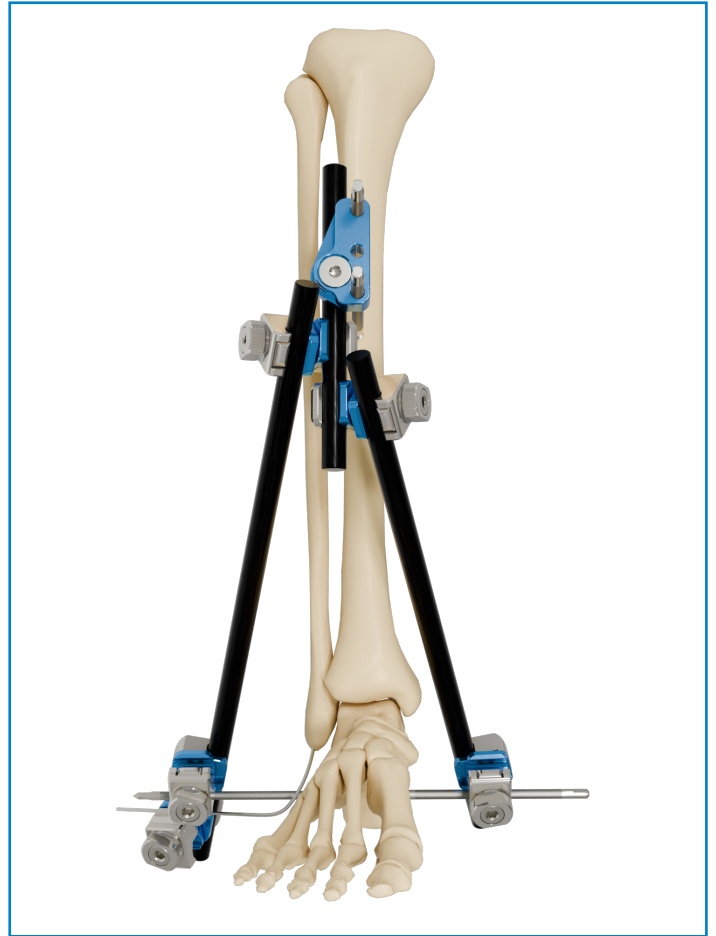


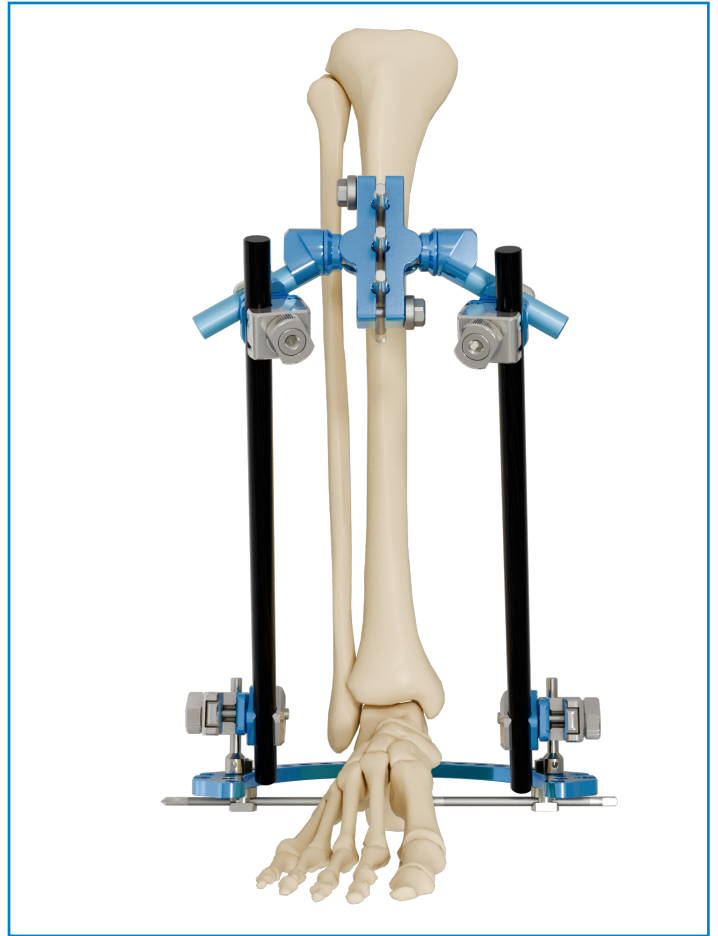
## LOWER LIMB







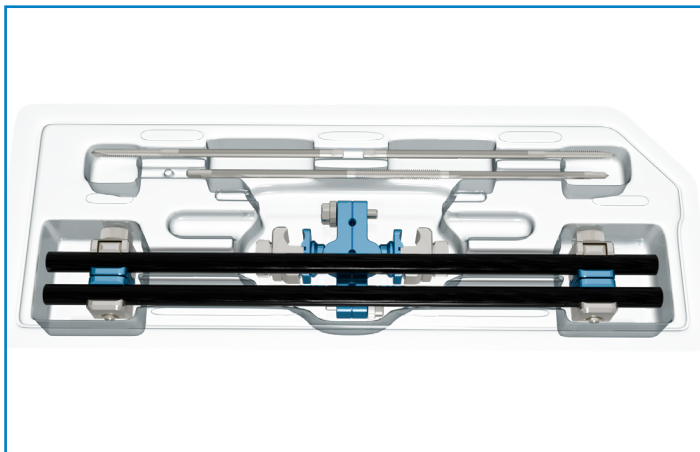




# Kit ClickIt ER

## 5006600ST

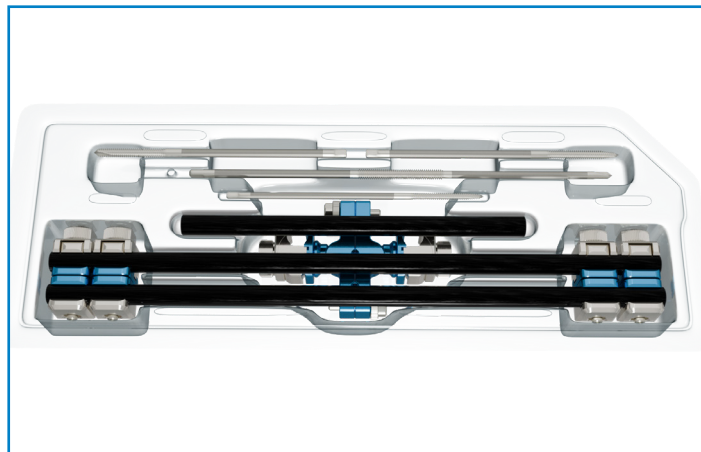
ER ANKLE SPANNING KIT ST



Kit consisting of	Q.ty
Multiscrew clamp ER	1
Large universal clamp ER Ø12mm	2
Rod Ø12mm L350mm	2
Transfixation screw Ø4.5-5mm L250mm F50mm	1
Self-drilling cortical screw Ø6mm L150mm F40mm	2

## 5006600STB

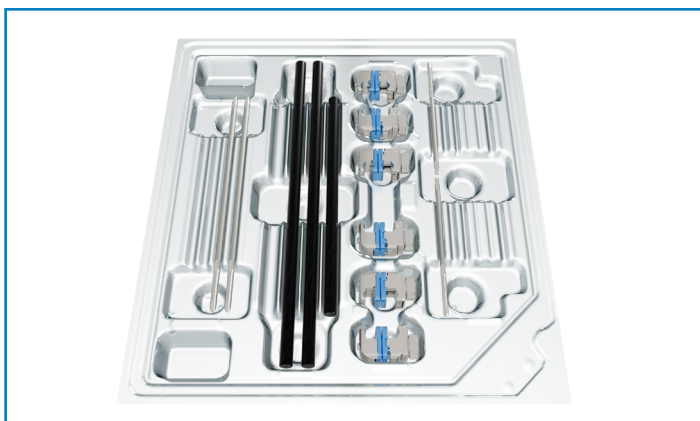
ER ANKLE BRIDGING PLUS KIT ST



Kit consisting of	Q.ty
Multiscrew clamp ER	1
Large universal clamp ER Ø12mm	4
Rod Ø12mm L200mm	1
Rod Ø12mm L350mm	2
Transfixation screw Ø4.5-5mm L250mm F50mm	1
Self-drilling cortical screw Ø4mm L150mm F40mm	1
Self-drilling cortical screw Ø5mm L150mm F40mm	2

## 5006630ST01

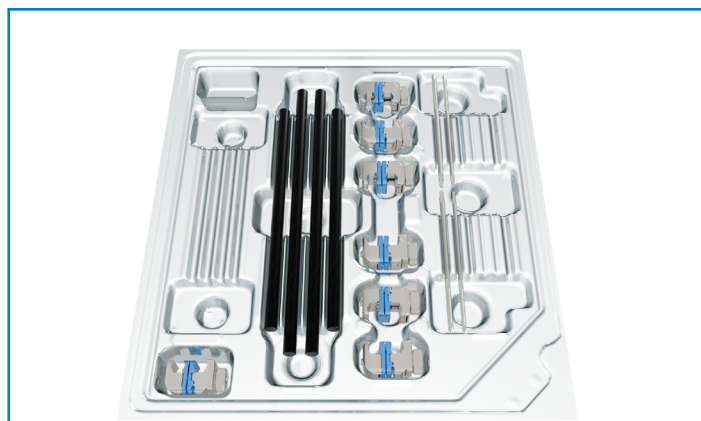
ER KNEE BRIDGING KIT ST



Kit consisting of	Q.ty
Universal clamp ER	6
Rod Ø12mm L250mm	1
Rod Ø12mm L350mm	2
Self-drilling cortical screw Ø5mm L150mm F40mm	2
Self-drilling cortical screw Ø6mm L250mm F40mm	2

## 5006650STA

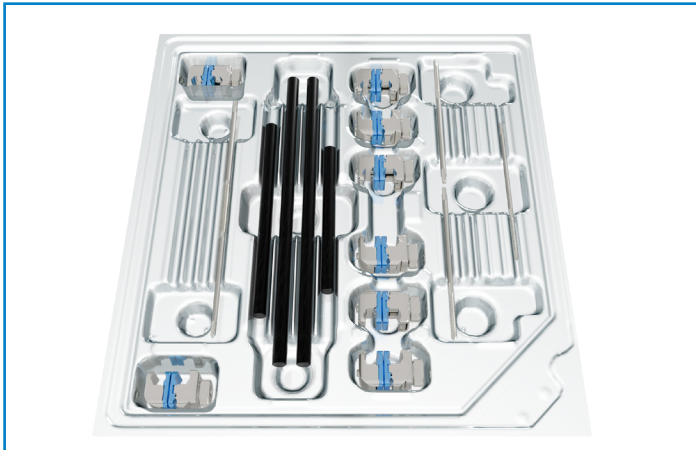
ER ELBOW TRAUMA PLUS KIT ST



Kit consisting of	Q.ty
Universal clamp ER	7
Rod Ø12mm L250mm	2
Rod Ø12mm L300mm	1
Self-drilling cortical screw Ø4mm L150mm F40mm	2
Self-drilling cortical screw Ø5mm L150mm F40mm	2

## 5006610ST02

### ER ANKLE BRIDGING DELTA PLUS KIT ST

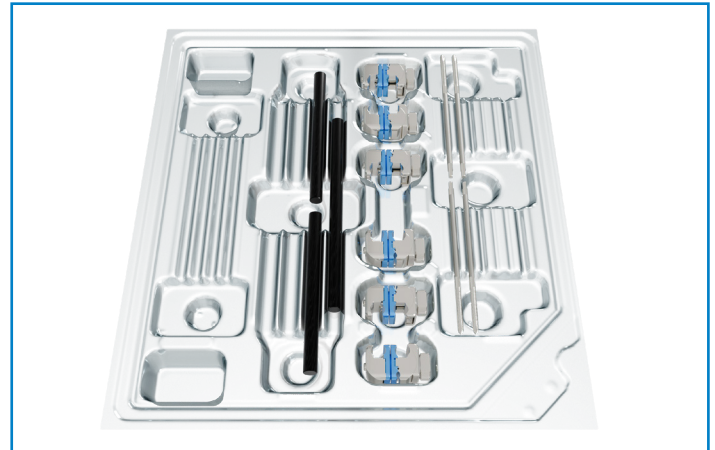


#### Kit consisting of Q.ty

Universal clamp ER	8
Rod Ø12mm L200mm	1
Rod Ø12mm L250mm	1
Rod Ø12mm L300mm	2
Transfixation screw Ø4.5-5mm L250mm F50mm	1
Self-drilling cortical screw Ø6mm L150mm F40mm	2
Self-drilling cortical screw Ø4mm L150mm F40mm	1

## 5006620ST01

### ER TIBIA KIT ST

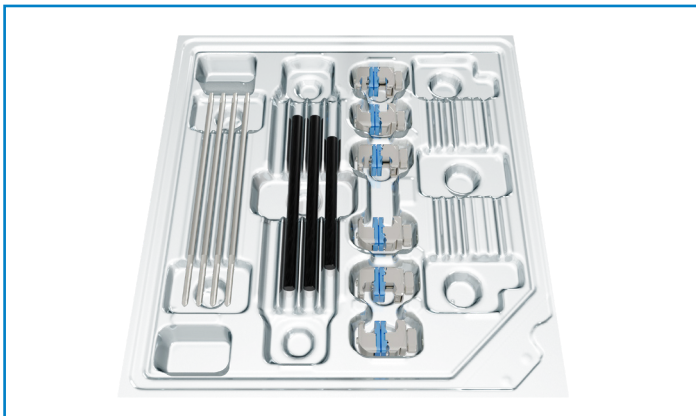


#### Kit consisting of Q.ty

Universal clamp ER	6
Rod Ø12mm L150mm	3
Self-drilling cortical screw Ø5mm L150mm F40mm	4

## 5006640ST01

### ER FEMUR KIT ST

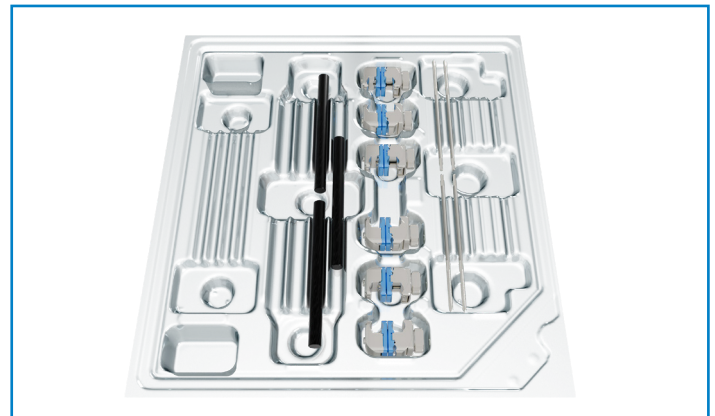


#### Kit consisting of Q.ty

Universal clamp ER	6
Rod Ø12mm L150mm	1
Rod Ø12mm L200mm	2
Self-drilling cortical screw Ø6mm L250mm F40mm	4

## 5006660ST01

### ER HUMERUS KIT ST



#### Kit consisting of Q.ty

Universal clamp ER	6
Rod Ø12mm L150mm	2
Rod Ø12mm L200mm	1
Self-drilling cortical screw Ø5mm L150mm F40mm	4

# ClickIt ER instrument set



# ClickIt ER single use instrument set



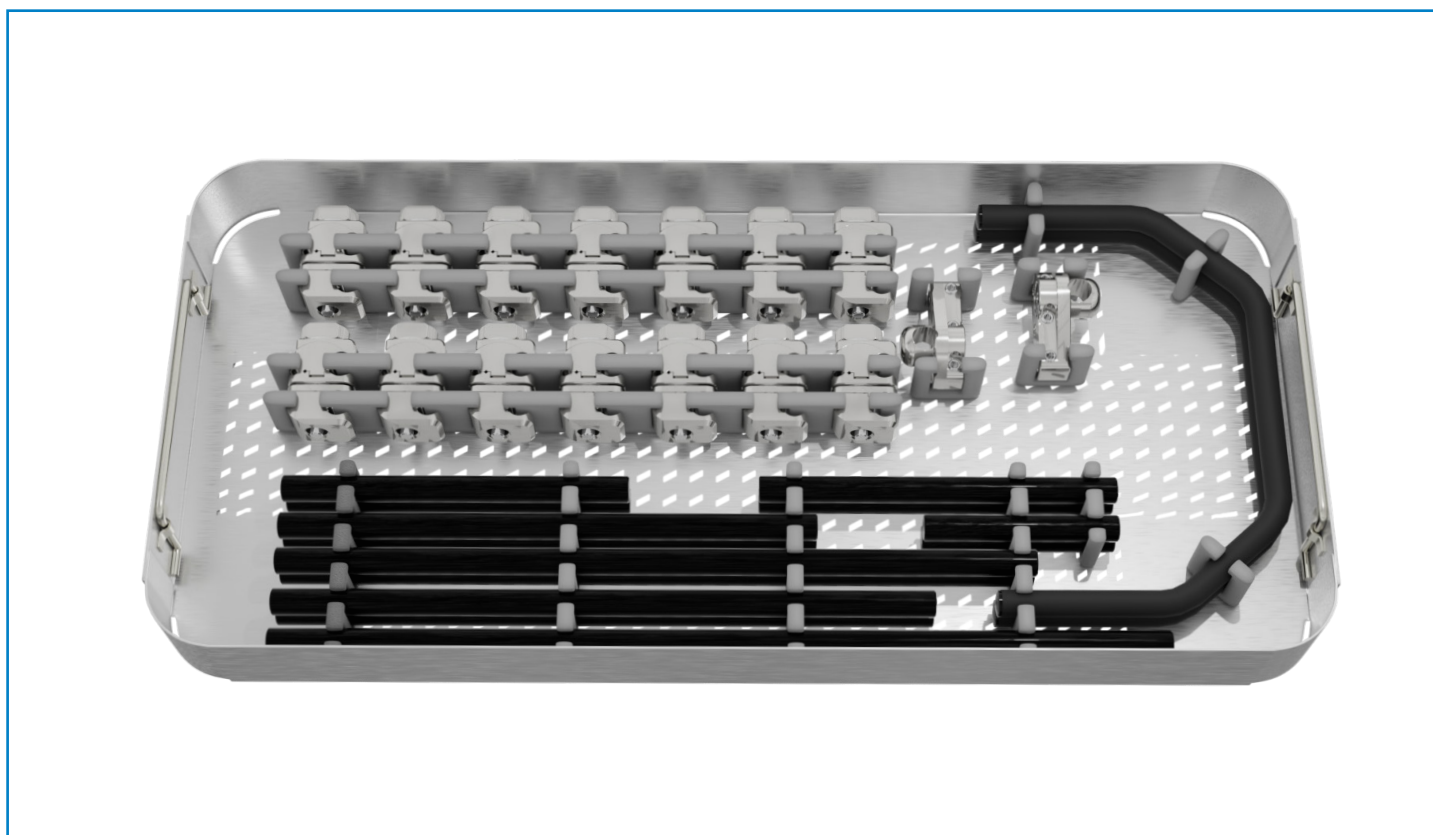
## 5006010ST01

Code	Description	Q.ty
5000603M	Universal T handle for screw	1
5006010M	Guide Ø6 L60mm - single use	1
5006000M	Hexagonal L-wrench 3mm - single use	1
5002074M	Hexagonal L-wrench 5mm - single use	1

## 5006012ST01

Code	Description	Q.ty
5000603M	Universal T handle for screw	1
5006012M	Guide Ø6 L100mm - single use	1
5006000M	Hexagonal L-wrench 3mm - single use	1
5002074M	Hexagonal L-wrench 5mm - single use	1

# ClickIt ER non sterile set



## Components

Code	Description	Q.ty
5006508	Large universal clamp ER Ø12mm	14
5006504	Multi screw clamp ER	2
5006510	Rod Ø12mm L100mm	2
5006512	Rod Ø12mm L150mm	2
5006514	Rod Ø12mm L200mm	2
5006516	Rod Ø12mm L250mm	2
5006518	Rod Ø12mm L300mm	2
5006520	Rod Ø12mm L350mm	2
5006522	Rod Ø12mm L400mm	2
5.2201A.002	Clickit ER "U" Rod Ø180mm	1

# CLICKIT ER

## COMPONENTS AND ACCESSORIES

CODE	DESCRIPTION
5006508ST	LARGE UNIVERSAL CLAMP ER Ø12MM ST
5000614ST	SMALL UNIVERSAL CLAMP Ø6MM ST
5006504ST	MULTI SCREW CLAMP ER ST
5006504CST	LARGE MULTI SCREW CLAMP WITH SUPPORTS ER ST
5006504LST	LARGE MULTI SCREW CLAMP ER ST
5006506ST	HYBRID CONNECTING POST ER ST
5006510ST	ROD Ø12MM L100MM ST
5006512ST	ROD Ø12MM L150MM ST
5006514ST	ROD Ø12MM L200MM ST
5006516ST	ROD Ø12MM L250MM ST
5006518ST	ROD Ø12MM L300MM ST
5006520ST	ROD Ø12MM L350MM ST
5006522ST	ROD Ø12MM L400MM ST
5006526ST	ROD Ø12MM L500MM ST
5006528ST	ROD Ø12MM L600MM ST
5.2201A.001ST	CLICKIT ER "U" ROD Ø150MM ST
5.2201A.002ST	CLICKIT ER "U" ROD Ø180MM ST
5.2201A.003ST	CLICKIT ER "U" ROD Ø210MM ST
5006102ST	5/8 RING Ø120MM ST
5006104ST	5/8 RING Ø140MM ST
5006106ST	5/8 RING Ø160MM ST
5006108ST	5/8 RING Ø180MM ST
5006110ST	5/8 RING Ø200MM ST
5006112ST	5/8 RING Ø220MM ST

## CLICKIT ER KIT

5006600ST	ER ANKLE BRIDGING LONG KIT WITH INSTRUMENTS ST
5006600STB	ER ANKLE BRIDGING PLUS KIT ST
5006610ST02	ER ANKLE BRIDGING DELTA PLUS KIT ST
5006620ST01	ER TIBIA KIT ST
5006630ST01	ER KNEE BRIDGING KIT ST
5006640ST01	ER FEMUR KIT ST
5006650STA	ER ELBOW TRAUMA PLUS KIT ST
5006660ST01	ER HUMERUS KIT ST

## INSTRUMENTS

CODE	DESCRIPTION
	COMPLETE CLICKIT ER INSTRUMENT TRAY

COMPRISING		Q.TY
5000124	3MM HEX SCREWDRIVER	1
5000604	T-HANDLE WITH AO ATTACHMENT	1
5000605	HEXAGONAL ROD Ø5MM AO CONNECTION	1
5006000	3MM L-SHAPED ALLEN KEY	1
5002074	5MM L-SHAPED ALLEN KEY	1
5000222	TWIST DRILL Ø3.5MM	1
5000224	TWIST DRILL Ø4.5MM	1
5006010	DRILL GUIDE Ø3.5MM L110MM	1
5006.04	ADAPTER FOR 4MM SCREWS	1
5006.05	ADAPTER FOR 5MM SCREWS	1
5006.06	ADAPTER FOR 6MM SCREWS	1
5006564	ER ROD TEMPLATE	1
5006560ER	CLICKIT ER STERILIZATION TRAY	1

Screw and wire range available by scanning the following QR code



## Sterilization

The components of the ClickIt ER system are supplied sterile.  
We indicate sterilizing the instruments in saturated steam autoclave according to the following parameters:

**TEMPERATURE:** 134°

**EXPOSURE:** 5 min



#### HEADQUARTERS

Via P. Gobetti, 56r - 16145 Genova  
Tel. +39 010 30801 - Fax +39 010 3080210  
[www.mikai.it](http://www.mikai.it) - [servizio.clienti@mikai.it](mailto:servizio.clienti@mikai.it)

#### MANUFACTURING FACILITY

Via Canestrello, 2 - 36050 Monteviale (VI)  
Tel. +39 0444 950100 - Fax +39 0444 950133  
[www.mikai.it](http://www.mikai.it) - [servizio.clienti@mikai.it](mailto:servizio.clienti@mikai.it)